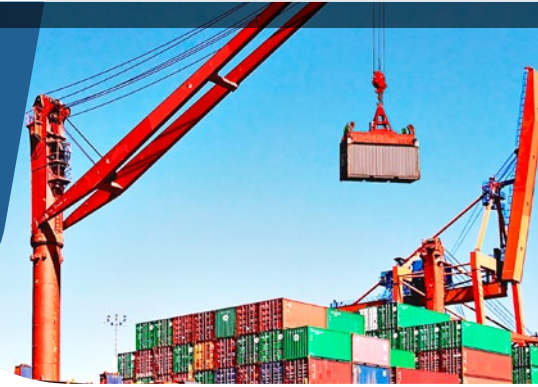


REXHIPRO™ ROLLER CHAIN

EXTREME PERFORMANCE



INDUSTRIES SERVED

- Food & Beverage
- Agriculture
- Wood
- Material Handling

FEATURES

- Corrosion resistance over 600 hours (salt spray test conforms to DIN EN ISO 9227)
- Tensile strength and long-term load capacity are comparable to RexPro™ Chains
- Dimensions in accordance with DIN, ANSI and ISO-Norm
- No process-related hydrogen embrittlement
- NSF H2 certification
- RoHS:2011 compliant for electronics industry
- Free from chromium VI, conform to guidelines 2011/65/EU, ROHS and Directive 2000/53/EC

BENEFITS

- Corrosion-resistant
- Excellent resistance to liquids used in the automotive industry
- Long wear life
- Cost-effective

LUBRICATION

- Use of RexPro Lubrication, free from heavy metals, silicone and Teflon
- Operating temperature: -30° C to +130° C
- With high temperature lubricants use is possible up to 250° C

RexHiPro Roller Chain provides excellent corrosion resistance and features high dynamic loading capabilities, an extended wear life and high wear resistance.

ENVIRONMENTALLY FRIENDLY

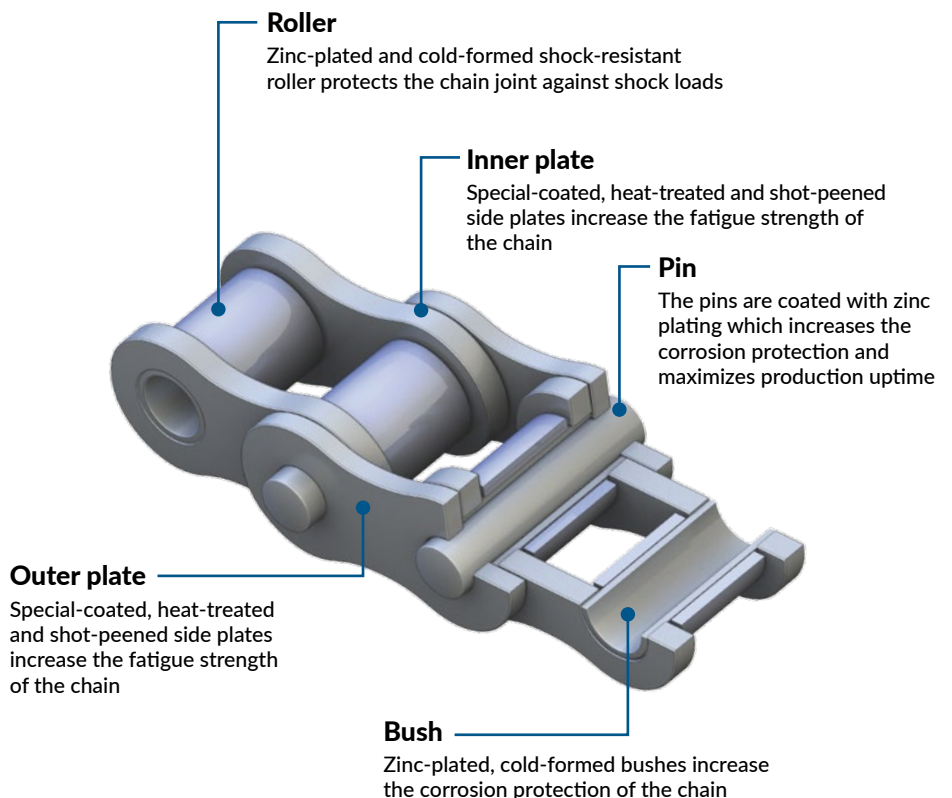
The RexHiPro Roller Chain is environmentally friendly because it's completely free from chromium VI and heavy metals, silicone and Teflon. The chain lubrication has a NSF H2 certification and the chain is conform to RoHS:2011 standard (Directive 2011/65/EU) and Directive 2000/53/EC.

EXCELLENT CORROSION RESISTANCE

Another advantage of this chain is the excellent corrosion resistance. All chain parts have been coated with anti-corrosion substance which makes the resistance intact for over 600 hours.

LONG WORKING LIFE

The RexHiPro Roller Chain is suitable for wet conditions and therefore can be used outdoors. It has an extremely long working life due to the anti-corrosion coating for all chain parts and the high strength and long-term loading capacity.



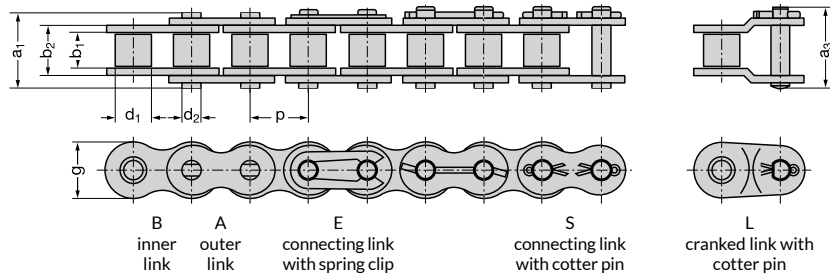
REXHIPRO™ ROLLER CHAIN

EUROPEAN STANDARD – REXHIPRO ROLLER CHAIN ISO 606

Simplex roller chain

Chain No.*	Pitch		Width between inner plates	Roller diameter	Pin diameter	Width over inner link	Plate depth	Transverse pitch	Pin length	Connecting pin length	Bearing area	Required minimum tensile strength ISO 606	Average tensile strength	Weight	Possible with straight sided plates	Loose parts				
	p															b ₁ min.	d ₁ max.	d ₂ max.	b ₂ max.	g max.
	Inch	mm	mm	mm	mm	mm	mm	mm	mm	mm	mm	cm ²	N	N		kg/m				
08 B - 1 HiPro	0.50	12.70	7.75	8.51	4.45	11.30	11.6	-	17.0	20.9	0.50	17 800	21 000	0.7		x	x	x	x	
10 B - 1 HiPro	0.625	15.875	9.65	10.16	5.08	13.28	14.6	-	19.6	23.7	0.67	22 200	25 000	0.9	x	x	x	x	x	
12 B - 1 HiPro	0.75	19.05	11.68	12.07	5.72	15.62	15.9	-	22.7	27.3	0.89	28 900	32 000	1.2	x	x	x	x	x	
16 B - 1 HiPro	1.00	25.40	17.02	15.88	8.28	25.40	20.5	-	36.1	41.5	2.10	60 000	80 000	2.7	x	x	x	x	x	
20 B - 1 HiPro	1.25	31.75	19.56	19.05	10.19	29.00	25.7	-	40.4	47.6	2.96	95 000	120 000	3.8	x	x	x		x	x
24 B - 1 HiPro	1.50	38.10	25.40	25.40	14.63	37.90	33.0	-	53.8	60.6	5.54	160 000	211 000	7.0	x	x	x		x	x
28 B - 1 HiPro	1.75	44.45	30.99	27.97	15.80	46.50	37.0	-	63.3	72.8	7.35	200 000	240 000	8.9		x	x		x	x
32 B - 1 HiPro	2.00	50.80	30.99	29.21	17.81	45.50	41.2	-	65.1	73.6	8.10	250 000	315 000	9.9	x	x	x		x	x

* Also available as duplex and triplex on request ** Loose parts are produced in RexHiProAthletic™ version



AMERICAN STANDARD – REXHIPRO ROLLER CHAIN ISO 606

Simplex roller chain

Chain No.*	Pitch		Width between inner plates	Roller diameter	Pin diameter	Width over inner link	Plate depth	Transverse pitch	Pin length	Connecting pin length	Bearing area	Required minimum tensile strength ISO 606	Average tensile strength	Weight	Possible with straight sided plates	Loose parts				
	p															b ₁ min.	d ₁ max.	d ₂ max.	b ₂ max.	g max.
	Inch	mm	mm	mm	mm	mm	mm	mm	mm	mm	mm	cm ²	N	N		kg/m				
60 - 1 HiPro	0.75	19.05	12.57	11.91	5.94	17.70	17.7	-	25.7	28.6	1.05	31 300	40 000	1.5	x	x	x	x	x	
80 - 1 HiPro	1.00	25.40	15.75	15.88	7.92	22.50	23.5	-	33.0	38.0	1.78	55 600	65 000	2.6	x	x	x	x	x	
100 - 1 HiPro	1.25	31.75	18.90	19.05	9.53	27.40	29.2	-	39.4	44.9	2.61	87 000	105 000	4.0		x	x		x	x
120 - 1 HiPro	1.50	38.10	25.22	22.23	11.10	35.30	34.4	-	49.8	56.1	3.92	125 000	145 000	5.5		x	x		x	x
140 - 1 HiPro	1.75	44.45	25.22	25.40	12.70	37.00	40.8	-	53.4	59.3	4.70	170 000	220 000	7.5		x	x		x	x
160 - 1 HiPro	2.00	50.80	31.55	28.58	14.27	45.00	47.8	-	63.6	68.9	6.42	223 000	260 000	10.2		x	x		x	x

* Also available as duplex and triplex on request ** Loose parts are produced in RexHiProAthletic™ version



Industrial Powertrain Solutions Regal Rexnord

Contact us: [regalrexnord.com/contact](https://www.regalrexnord.com/contact)

[regalrexnord.com](https://www.regalrexnord.com)

The proper selection and application of products and components, including assuring that the product is safe for its intended use, are the responsibility of the customer. To view our Application Considerations, please visit <https://www.regalrexnord.com/Application-Considerations>.

To view our Standard Terms and Conditions of Sale, please visit <https://www.regalrexnord.com/Terms-and-Conditions-of-Sale> (which may redirect to other website locations based on product family).

"Regal Rexnord" is not indicative of legal entity.

Regal Rexnord, Rex, RexPro, RexHiPro and RexHiProAthletic are trademarks of Regal Rexnord Corporation or one of its affiliated companies.

© 2021, 2023 Regal Rexnord Corporation, All Rights Reserved. MCSSP23037E • Form# ECE5-005_A4E

