

# Maintenance-free chains

---

The most efficient solutions  
for your industrial drive system.



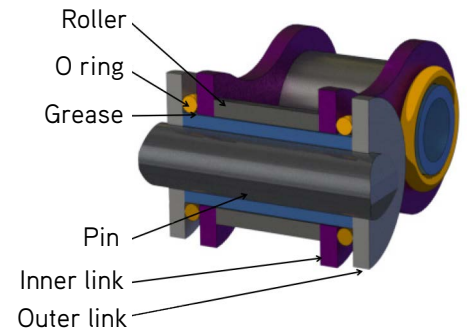
SINCE  
**1935**

# IRIS O-ring chains

From industrial to agriculture, O-ring chain is the greatest upgrade for a large range of applications. This chains were traditionally used in the Motorcycle chain applications, but customers are now realising the true benefits

of the O-Ring chain design in industrial application as they become more competitively priced against the benefits they provide.

O-ring chain can last up to 10 times longer than standard roller chains.



## HIGHLIGHTS

- ✓ Chain stretches reduced by a pre-stressed and pre-stretched test.
- ✓ O-Rings seal the factory-applied lubricant inside the bearing area while keeping the damaging external elements out.
- ✓ Operating temperature range: -30°C to + 100°C

## INDUSTRIES

- ✓ Mechanical Engineering
- ✓ Agricultural Industry
- ✓ Food Industry

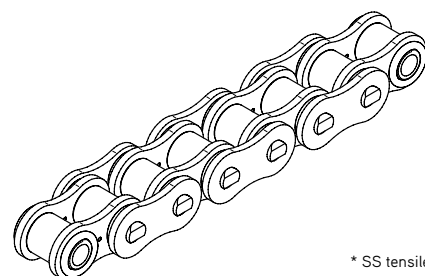
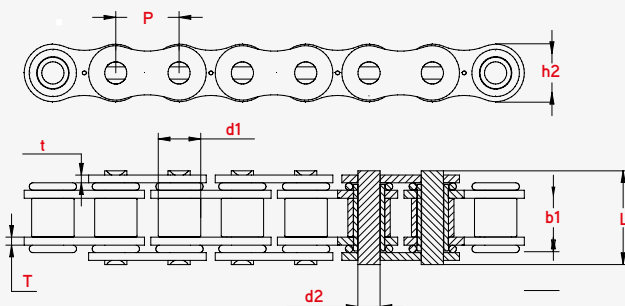
### O-Ring Roller Chains

#### ISO SERIES

DIN/ISO No.	Material	Pitch	Roller diameter	Width between Plates	Pin diameter	Pin length		Inner Plate height	Plate thickness	Tensile Strength	Weight per meter
		P mm	d1 max mm	b1 min mm	d2 max mm	L max mm	Lc max mm	h2 max mm	T max mm	Q min KN	q kg/m
06B-1 OR	CS, NP, SS	9,525	6,35	5,72	3,28	14,40	15,60	8,20	1,30	9,00	0,45
08B-1 OR	CS, NP, SS	12,70	8,51	7,75	4,45	18,80	19,90	11,80	1,60	8,00	0,74
10B-1 OR	CS, NP, SS	15,870	10,16	9,40	5,08	23,10	24,80	15,09	2,03	22,40	0,99
12B-1 OR	CS, NP, SS	19,050	12,07	11,68	5,72	22,50	24,40	16,00	1,85	29,00	1,27
16B-1 OR	CS, NP, SS	25,400	15,88	17,02	8,28	36,10	37,40	21,00	4,15/3,5	60,00	2,78
20B-1 OR	CS, NP, SS	31,750	19,05	19,56	10,19	41,30	45,00	26,40	4,5/3,5	95,00	3,78
<b>Reinforced (H) and Super-reinforced (SH)</b>											
8B-1 OR H (428H)	CS, NP, SS	12,700	8,50	7,80	4,45	21,90	23,20	12,00	2,05	8,00	0,82
8B-1 OR SH (428SH)	CS, NP, SS	12,700	8,50	7,80	4,45	21,90	23,20	12,00	2,05	8,00	0,90
10B-1 OR H	CS, NP, SS	15,8750	10,16	9,40	5,08	24,70	26,40	15,10	2,42	22,20	1,39

#### ASA SERIES

DIN/ISO No.	ANSI No.	Material	Pitch	Roller diameter	Width between Plates	Pin diameter	Pin length		Inner Plate height	Plate thickness	Tensile Strength	Weight per meter
			P mm	d1 max mm	b1 min mm	d2 max mm	L max mm	Lc max mm	h2 max mm	T max mm	Q min KN	q kg/m
06A-1 OR	35 OR	CS, NP, SS	9,252	5,08	4,77	3,58	14,40	15,50	9,00	1,30	7,90	0,39
08A-1 OR	40 OR	CS, NP, SS	12,70	7,95	7,85	3,96	18,30	19,60	12,00	1,50	14,10	0,67
10A-1 OR	50 OR	CS, NP, SS	15,875	10,16	9,4	5,08	23,10	24,80	15,10	2,03	22,20	1,07
12A-1 OR	60 OR	CS, NP, SS	19,05	11,91	12,57	5,94	28,50	30,40	18,00	2,42	31,80	1,62
16A-1 OR	80 OR	CS, NP, SS	25,40	15,88	15,75	7,92	35,60	37,30	24,00	3,25	56,70	2,70
20A-1 OR	100 OR	CS, NP, SS	31,75	19,05	18,95	9,53	43,30	47,00	30,00	4,00	88,50	3,91
<b>Reinforced series</b>												
10A-1 OR H	50-1 OR H	CS, NP, SS	15,875	10,16	9,40	5,08	24,70	26,40	15,10	2,42	22,20	1,39
12A-1 OR H	60-1 OR H	CS, NP, SS	19,05	11,91	12,57	5,94	31,70	34,20	18,00	3,25	31,80	1,50



CS CARBON STEEL  
NP NICKELLED PLATED  
SS STAINLESS STEEL

\* SS tensile strenght on request

# Lube-free chains

Lube-free chains are highly resilient to wear and maintenance-free. These transmission chains provide endurance and a significantly longer service life, and adapt to applications where lubrication passage is difficult, or when machines and materials must remain clean. Efficiency is maximized as shutdowns for regular maintenance

are no longer necessary.

These chains are clean and dry, and help the environment by making relubrication redundant.

Chemically nickel-plated chains are optimized for protection from corrosion.

## SERVICES

Many references **available in stock.**

**Specific product** on request.

**Matched pairs** on request for chains working in parallel.

**Chains of any length.**

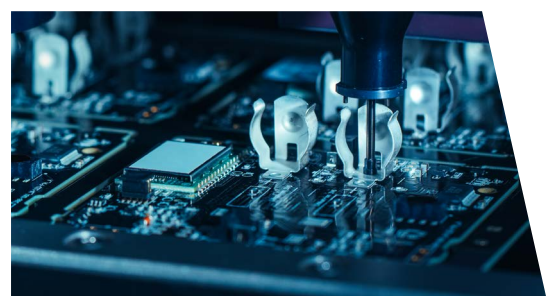
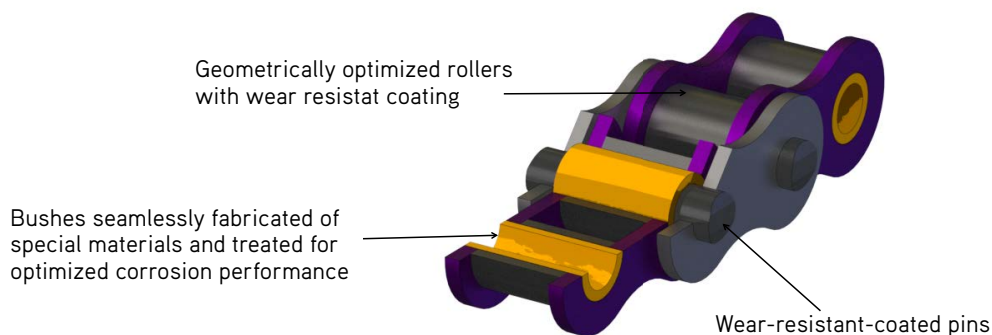
**Technical assistance.**

## INDUSTRIES

- ✓ Food and packaging
- ✓ Printing and paper manufacture
- ✓ Conveyor systems
- ✓ Textile and clothing
- ✓ Electronics
- ✓ Medical technology

## HIGHLIGHTS

- ✓ Longer chain life due to low friction and high resilience.
- ✓ Maximizes efficiency thanks to significant reduction of downtime.
- ✓ Significant cut of maintenance costs.
- ✓ Environmentally-friendly, no relubrication necessary.
- ✓ Reduces scrap and eliminates product contamination.
- ✓ Operating temperature range: -40°C to + 150°C.



# Self-lubricating chains

Self-lubricating roller chains

## ISO SERIES

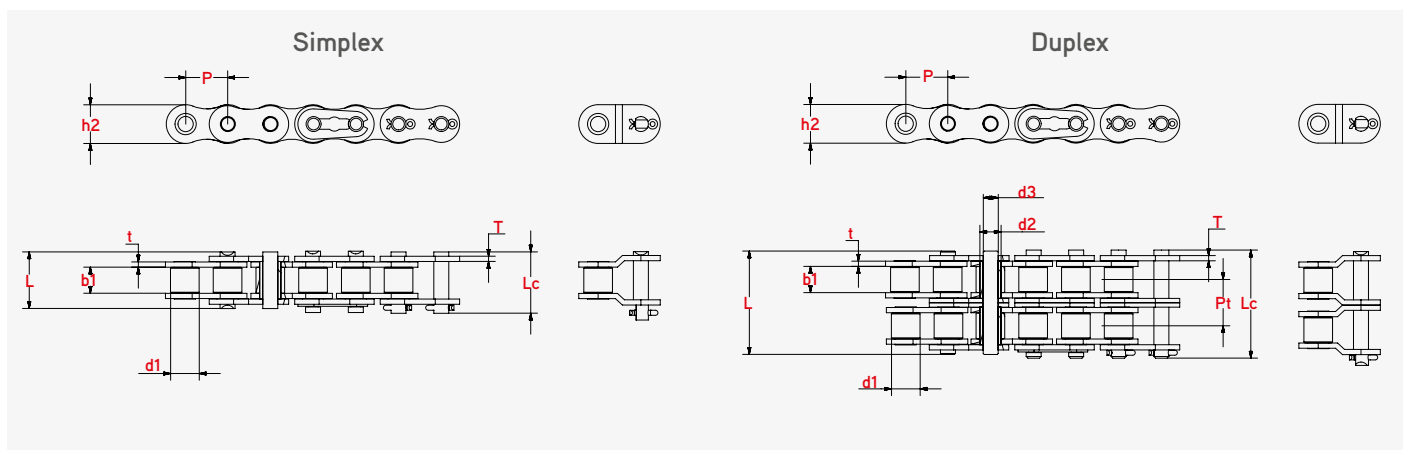
ISO SERIES		Pitch	Roller Diameter	Width between Plates	Pin diameter	Pin length		Inner Plate height	Plate thickness	Transverse Pitch	Tensile strength	Weight per meter
DIN/ISO No.	Material	P mm	d1 max mm	b1 min mm	d2 max mm	L max mm	Lc max mm	h2 max mm	T max mm	Pt mm	Q min Kn	q kg/m
<b>SIMPLEX</b>												
06B-1	CN, DT, SS	9,525	6,35	5,72	3,31	12,90	14,10	8,20	1,30	-	9,00	0,41
08B-1	CN, DT, SS	12,70	8,51	7,75	4,45	16,70	18,20	11,80	1,60	-	18,00	0,70
10B-1	CN, DT, SS	15,875	10,16	9,65	5,08	19,50	20,90	14,40	1,70	-	22,40	0,95
12B-1	CN, DT, SS	19,05	12,07	11,68	5,72	22,50	24,20	16,20	1,85	-	29,00	1,25
16B-1	CN, DT, SS	25,40	15,88	17,02	8,28	36,10	37,40	21,10	4,15	-	60,00	2,71
20B-1	CN, DT, SS	31,75	19,05	19,56	10,19	41,30	45,00	26,20	4,50	-	95,00	3,72
24B-1	CN, DT, SS	38,100	24,40	25,40	14,63	53,40	57,80	33,20	6,00/4,80	-	160,00	7,08
<b>DUPLEX</b>												
06B-2	CN, DT, SS	9,525	6,35	5,72	3,31	23,40	24,60	8,20	1,30	10,24	16,90	0,78
08B-2	CN, DT, SS	12,70	8,51	7,75	4,45	31,00	32,20	11,80	1,60	13,92	32,00	1,35
10B-2	CN, DT, SS	15,875	10,16	9,65	5,08	36,10	37,50	14,40	1,70	16,59	44,50	1,85
12B-2	CN, DT, SS	19,05	12,07	11,68	5,72	42,00	43,60	16,40	1,85	19,46	57,80	2,50
16B-2	CN, DT, SS	25,40	15,85	17,02	8,28	68,00	69,30	21,10	4,15	31,88	106,00	5,42
20B-2	CN, DT, SS	31,75	19,05	19,56	10,19	77,80	81,50	25,40	4,50	36,45	170,00	7,36
24B-2	CN, DT, SS	38,100	24,40	25,40	14,63	101,70	106,20	33,20	6,00/4,80	48,30	319,20	12,43
<b>TRIPLEX</b>												
08B-3	CN, DT, SS	12,70	8,51	9,65	4,45	45,10	46,10	11,80	1,60	13,92	47,50	2,00
10B-3	CN, DT, SS	15,875	10,16	11,68	5,08	52,70	54,10	14,40	1,70	16,59	66,70	2,80
12B-3	CN, DT, SS	19,05	12,07	17,02	5,72	61,50	63,10	16,40	1,85	19,46	86,70	3,80
16B-3	CN, DT, SS	25,40	15,88	8,28	9,80	99,80	101,20	21,10	4,15	31,88	160,00	8,15

## ASA SERIES

ASA SERIES			Pitch	Roller Diameter	Width between Plates	Pin diameter	Pin length		Inner Plate height	Plate thickness	Transverse Pitch	Tensile strength	Weight per meter
DIN/ISO No.	ANSI No.	Material	P mm	d1 max mm	b1 min mm	d2 max mm	L max mm	Lc max mm	h2 max mm	T max mm	Pt mm	Q min Kn	q kg/m
<b>SIMPLEX</b>													
08A-1	40	CN, DT, SS	12,70	7,95	3,96	3,96	16,60	17,80	12,00	1,50	-	14,10	0,62
10A-1	50	CN, DT, SS	15,875	10,16	5,08	5,08	20,70	22,20	15,09	2,03	-	22,00	1,02
12A-1	60	CN, DT, SS	19,05	11,91	5,94	5,94	27,50	29,30	18,00	3,25/2,42	-	34,20	1,65
16A-1	80	CN, DT, SS	25,400	15,88	15,75	7,92	32,70	35,00	24,00	3,25	-	56,70	2,60
20A-1	100	CN, DT, SS	31,750	19,01	18,90	9,53	40,40	44,70	30,00	4,00	-	86,70	3,94
<b>DUPLEX</b>													
08A-2	40-2	CN, DT, SS	12,70	7,95	3,96	3,96	31,00	32,20	12,00	1,50	14,38	28,20	1,12
10A-2	50-2	CN, DT, SS	15,875	10,16	5,08	5,08	38,90	40,40	15,09	2,03	18,11	44,40	2,00
12A-2	60-2	CN, DT, SS	19,05	11,91	5,94	5,94	50,30	52,10	18,00	2,42	22,78	68,40	3,21
16A-2	80-2	CN, DT, SS	25,400	15,88	15,75	7,92	62,70	64,30	24,00	3,25	29,29	113,40	5,15
20A-2	100-2	CN, DT, SS	31,750	19,01	18,90	9,53	76,40	80,50	30,00	4,00	35,76	173,40	7,89

CN CHEMICAL NICKEL  
DT DELTA-TONE  
SS STAINLESS STEEL

\* SS tensile strength on request



# Self-lubricating chains with straight plates

Self-lubricating straight plate chains are a long-service life solution for conveyor systems.

Regular maintenance stops become unnecessary. As a result, these chains are ideal for sectors such as automotive or logistics.

## SERVICES

Many references available in stock.

Matched pairs on request for chains working in parallel.

Chains of any length.

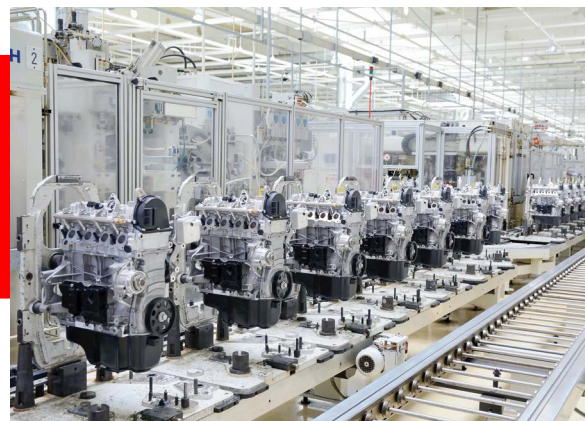
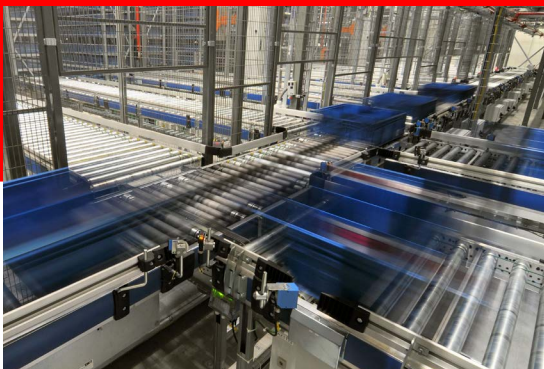
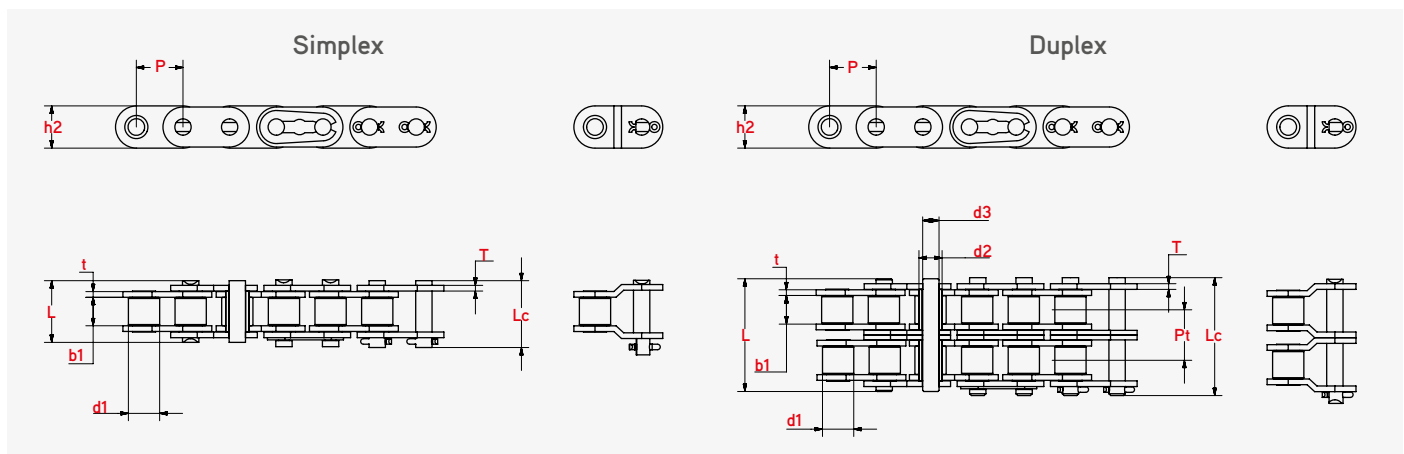
Technical assistance.

## ISO SERIES

DIN/ISO No.	Material	Pitch	Roller diameter	Width between Plates	Pin diameter	Pin length		Inner Plate height	Plate thickness	Transverse Pitch	Tensile strength	Weight per meter
		P mm	d1 max mm	b1 min mm	d2 max mm	L max mm	Lc max mm	h2 max mm	T max mm	Pt mm	Q min Kn	q kg/m
<b>SIMPLEX</b>												
08 B-1	CN, DT, SS	12,700	8,51	7,75	4,45	16,70	18,20	11,80	1,60	-	18,00	0,78
10 B-1	CN, DT, SS	15,875	10,16	9,65	5,08	19,50	20,90	14,70	1,70	-	22,40	1,06
12 B-1	CN, DT, SS	19,050	12,07	11,68	5,72	22,50	24,20	16,00	1,85	-	28,90	1,32
16 B-1	CN, DT, SS	25,400	15,88	17,02	8,28	36,10	39,10	21,0	4,15/3,10	-	60,00	2,92
<b>DUPLEX</b>												
08 B-2	CN, DT, SS	12,700	8,51	7,75	4,45	31,20	32,20	11,80	1,60	13,92	32,00	1,55
10 B-2	CN, DT, SS	15,875	10,16	9,65	5,08	36,10	37,50	14,70	1,70	16,59	44,50	2,08
12 B-2	CN, DT, SS	19,050	12,07	11,68	5,72	42,00	43,60	16,00	1,85	19,46	57,80	2,31
16 B-2	CN, DT, SS	25,400	15,88	17,02	8,28	68,00	71,00	21,0	4,15/3,10	31,88	106,00	5,87

**CN** CHEMICAL NICKEL  
**DT** DELTA-TONE  
**SS** STAINLESS STEEL

\* SS tensile strength on request



**Notes:**

Lined area for writing notes, consisting of 24 horizontal lines.



[www.iris-chains.com](http://www.iris-chains.com)

SINCE  
**1935**

Polígono Ind. Erisono nº 1  
20600 Eibar (Guipuzcoa) España

T +34 943 120 550  
[iris@iris-chains.com](mailto:iris@iris-chains.com)