



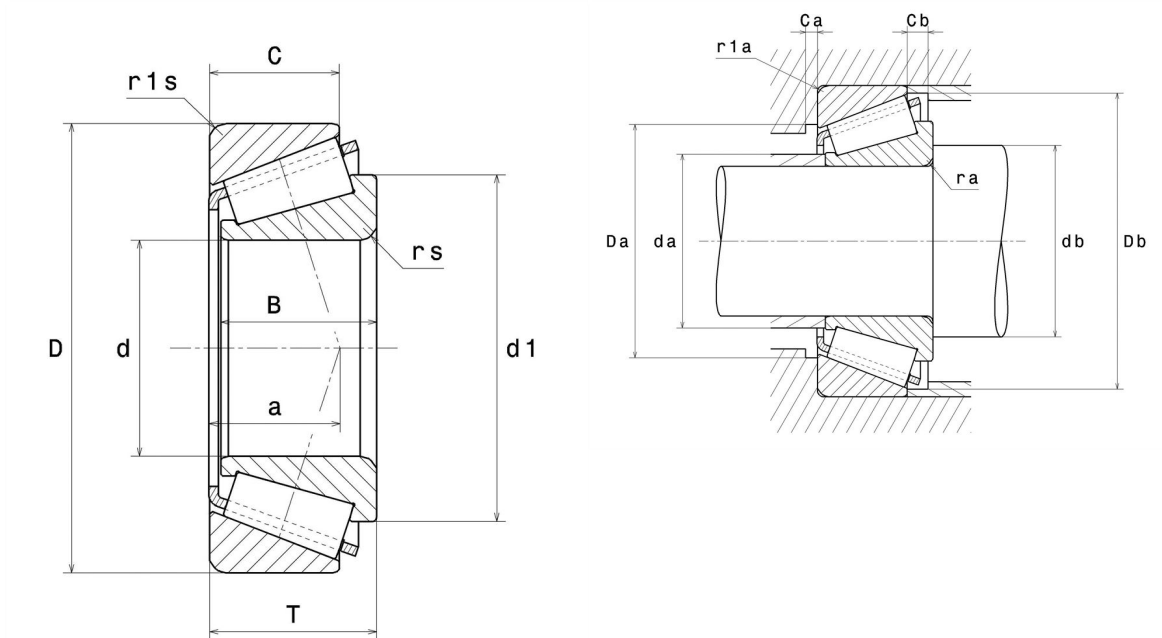
Technical data

4T-L225849/L225810

Single row tapered roller bearings

Tapered roller bearing, pressed steel cage

Visual(s)



Product definition

d	127 mm
D	169.86 mm
B	26.2 mm
C	20.64 mm
T	25.4 mm
a	27.5 mm
rs min	1.57 mm
r1s min	1.57 mm
e	0.33
Y2	1.8
Y0	0.99
Mass	1.61 kg
Brand	NTN

Product performance

Dynamic load, C	123 kN
Rating life coefficient, A2	1.4
Static load, C0	246 kN
Nlim (oil)	2,500 Tr/min
Nlim (grease)	1,900 Tr/min
Min operating temperature, Tmin	-40 °C
Max operating temperature, Tmax	120 °C
Characteristic cage frequency, FTF	0.47 Hz
Characteristic rolling element frequency, BSF	17.16 Hz
Characteristic outer ring frequency, BPF0	18.87 Hz
Characteristic inner ring frequency, BPFI	21.13 Hz

Abutment dimensions

ra max	1.5 mm
r1a max	1.5 mm

Calculation factors

Equivalent dynamic radial load

$$P = X.F_r + Y.F_a$$

Fa / Fr ≤ e		Fa / Fr > e	
X	Y	X	Y
1	0	0.4	Y2

Equivalent static radial load

$$P_0 = X_0.F_r + Y_0.F_a$$

X ₀	Y ₀
0.5	Y0

If $P_0 < F_r$, then use $P_0 = F_r$

The values for e, Y2 and Y0 are shown in the above table