

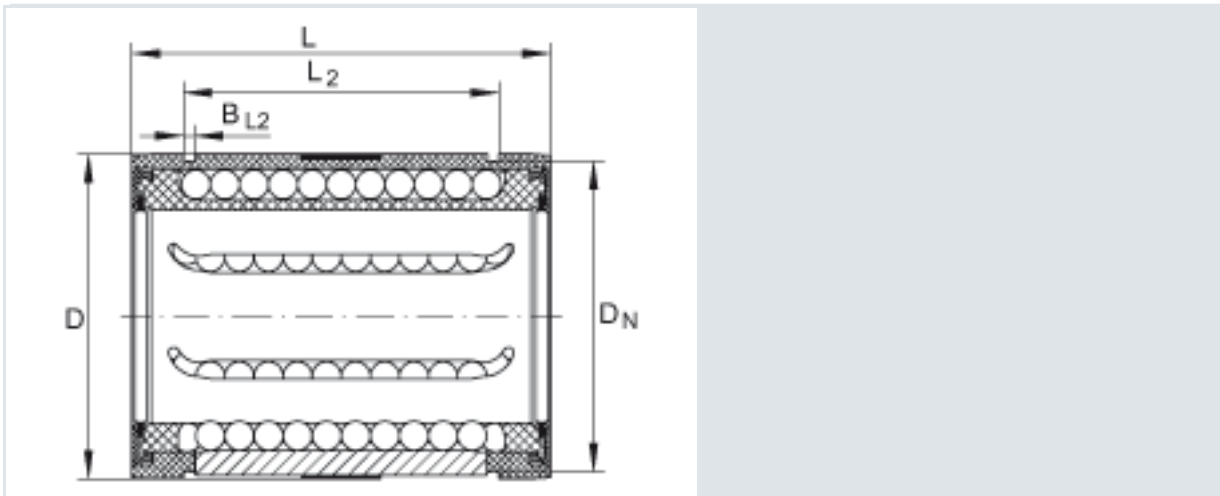
Linear ball bearings KNO30-B-PP (Series KNO..-B-PP)

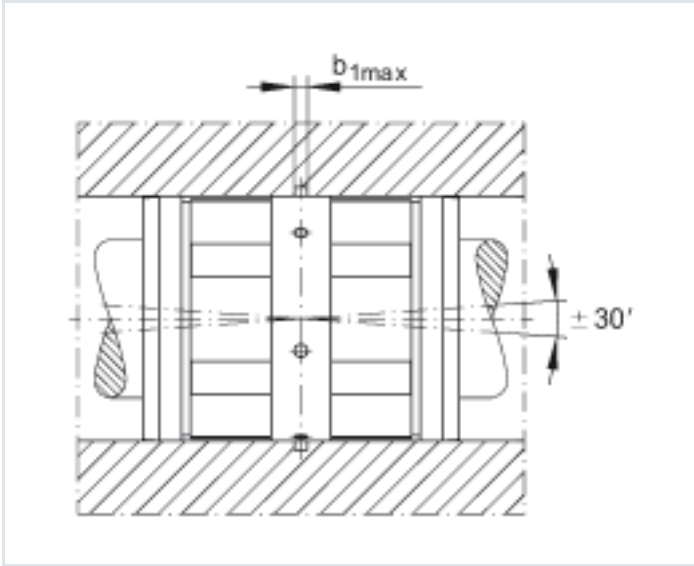
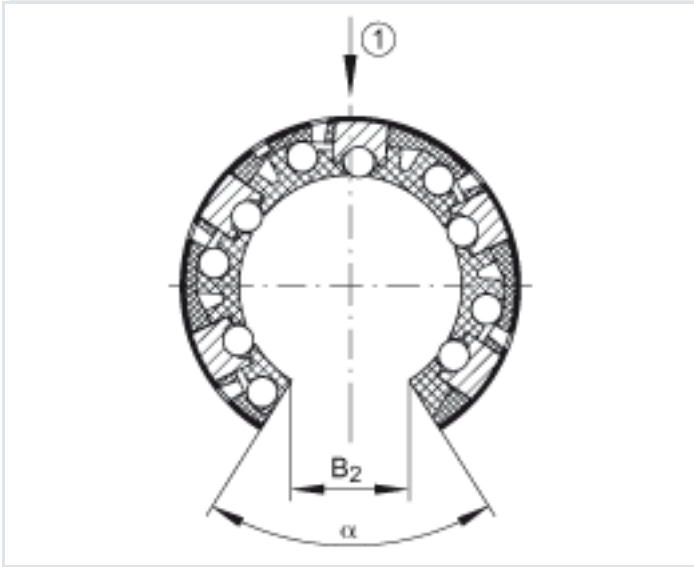
open design, sealed on all sides, with relubrication facility, adjustable angle

The datasheet is only an overview of dimensions and basic load ratings of the selected product. Please always observe all the guidelines in these overview pages. Further information is given on many products under the menu item "Description". You can also order comprehensive information via the Catalogue ordering system (https://www.schaeffler.de/content.schaeffler.de/en/news_media/index.jsp) or by telephone on +49 (91 32) 82 - 28 97.

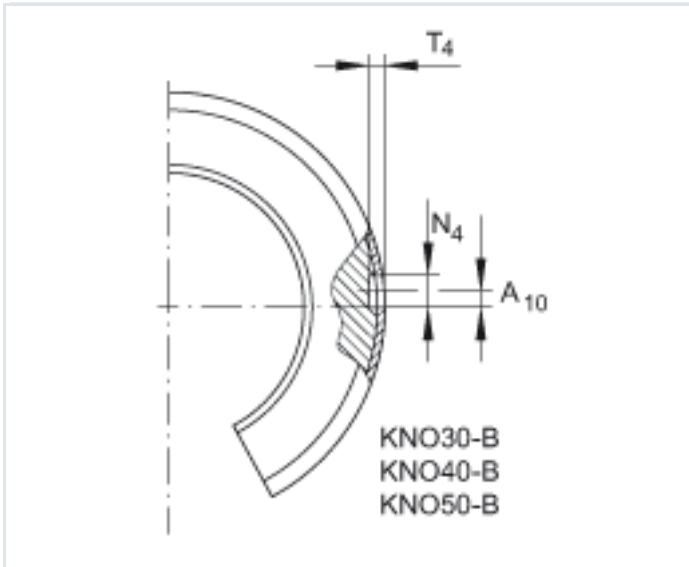
Fw	30 mm	
D	47 mm	
L	68 mm	
	5	Number of rows of balls
1)		Main load direction
A ₁₀	2 mm	
b _{1 max}	2,5 mm	
B ₂	14 mm	Dimension B2 on diameter Fw
N ₄	3 mm	Hole position symmetrical to bearing width L
T ₄	2,2 mm	
α	57 °	

m	160 g	Mass of bearing
		Basic load ratings in main load direction The basic load ratings are only valid for hardened (670 HV +165 HV) and ground shaft raceways.
C _{max}	3750 N	Basic dynamic load rating
C _{0 max}	2850 N	Basic static load rating





Self-aligning up to +/- 30'



Fixing holes