



**BG19 BG25 BG35**



**BG13**

Robust, reliable for outdoor environment or extreme conditions

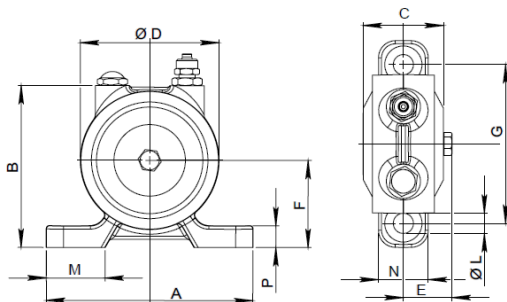
- ✓ Cast iron body
- ✓ No lubrication nor air dried required

**MAIN APPLICATIONS:**

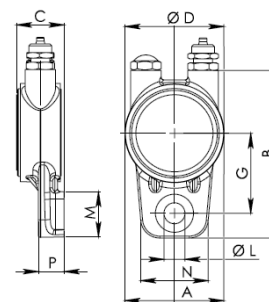
Unloading hoppers, cleaning filters, small screens, etc.

Type	Frequency (t/mn)	Centrifugal Force (Kg)	Air Cons. (l/mn)	Weight (Kg)
<b>BG13</b>	18 500	34	340	0.43
<b>BG19</b>	13 000	79	500	1.16
<b>BG25</b>	7 900	98	640	1.90
<b>BG35</b>	5 100	117	730	3.00

Data set at 6 bars



**BG19  
BG25  
BG35**



**BG13**

Type	OVERALL DIMENSIONS (mm)						FIXING DIMENSIONS (mm)				
	A	B	C	D	E	F	G	ØL	M	N	P
<b>BG13</b>	53	88	24	53	16	-	42	1 x M10	25	29	14
<b>BG19</b>	126	84	43	72	28	44	100	2 x M10	35	26	12
<b>BG25</b>	135	104	53	89	33	56	102	2 x M12	32	32	15
<b>BG35</b>	151	122	68	105	41	64	115	2 x M12	43	43	16